



Doorlift

EN

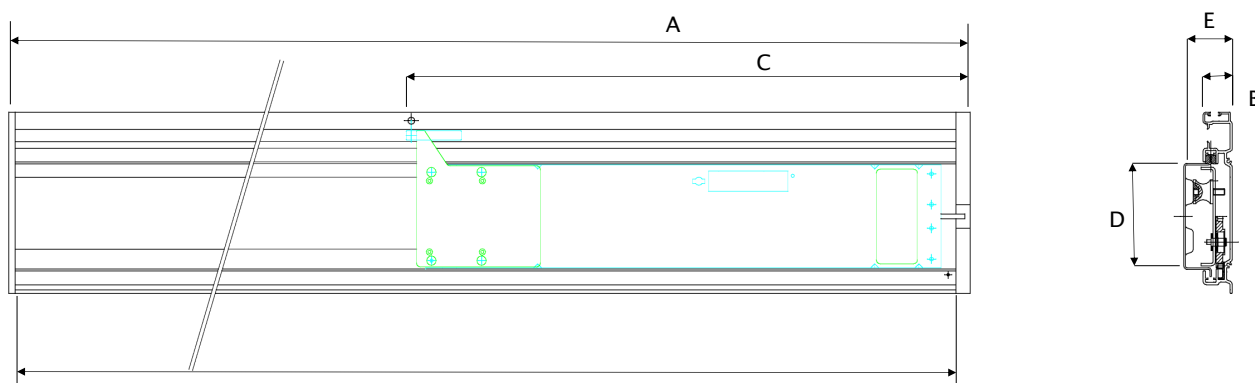


Specifications

Description	DL-4
System	2 motor drive
Material	Aluminium, Steel and plastic (RoHS free)
Shutter height (max.)	2600mm
Strength (max.)	Electric <= 50Kg
Total weight	± 25Kg
Speed	Non load ± 195mm/s Load ± 185mm/s
End switches	Reed contact/magnet
Voltage	24V / 32V, ± 10%
Current	± 5A*
Duty cycle	20% (2 min. on/8 min. off)
Life cycle	200.000 cycle
Maintenance	At least once a year
Emergency unlocking	Mechanical by pullout lock
Bottom safety guard	Yes
Control options	Switches / Remote
Buzzer	12-24Vdc
Sound level	< 50 db (A)
Environmental temperature	-25 tot 70 °C
Permitted air humidity	< 50%
Recognition	CE

* Current peaks while closing possible until 30A

Dimensions




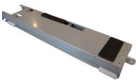



Dimension	Description	Size (mm)
A	Total length system	3506
B	Profile height	37
C	Length motor-unit	714,5
D	Width motor-unit	134
E	Total height system	61,5*

Comments:







- 1 For these sizes we presume a standard profile. Sizes can be different.
- 2 Drawings available on request.

*min. space needed between shutter and roof = 45mm

Delivery content

		DL-4
	Profile	3500mm profile with toothtrack, spiral cable with connector, sensors, end cap, sensor wire cover and screws
	Motor-unit	Automotive 2 motor unit
	Electronics	PCB, including housing and cable glands
	Emergency unlocking	Lock with cable, plastic covers and lock cover outside
	Mounting set shutter	Doorplate, connection bar

Optional

	Converter	Converter 12/24-32V, 7,5/10A
	Remote control	Remote control, FM 433Mhz
	Buzzer	Warning signal for detecting open door, 12-24V
	Key switch	Key switch as an extra operating control
	PIR-sensor	Sensor for detecting movement in the load area. When there is no movement, the door will automatically close the door.
	Nudge switch	Elbow switch for closing the door.